



Features:

- two-phase controlled soft starter
- controlled by microcontroller
- phase-current optimized soft start
- connection in the motor delta winding
- current and torque reduction during acceleration
- easy mounting, also for retrofitting into existing plants
- integrated bypass relay
- parameterization by means of three potentiometers
- no additional control voltage required
- no mains neutral conductor (N) required
- economically priced substitute for star-delta starters
- plug-in power terminals
- control outputs with spring-loaded terminals
- degree of protection IP20



Soft Starters
VS II 400-17...45



Function:

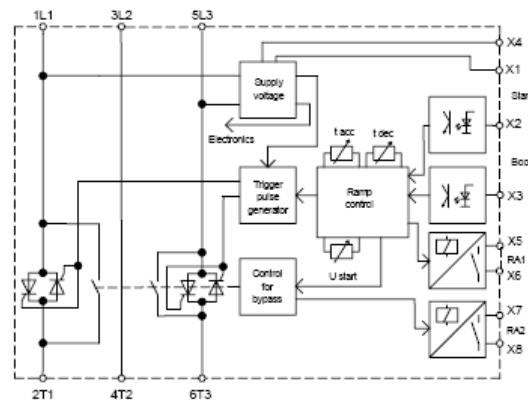
- soft acceleration and deceleration
- potential-free control input for soft acceleration and deceleration
- 3 separately adjustable parameters accel. time, start voltage, decel. time
- boost-start selectable

Typical Applications:

door and gate drives
pumps, ventilators, fans
conveying systems
packaging machines
transport systems, assembly lines
compressors
machine applications

Options:

- special voltages 230V and 480V
- wide voltage range 200-480V with external auxiliary supply 24VDC



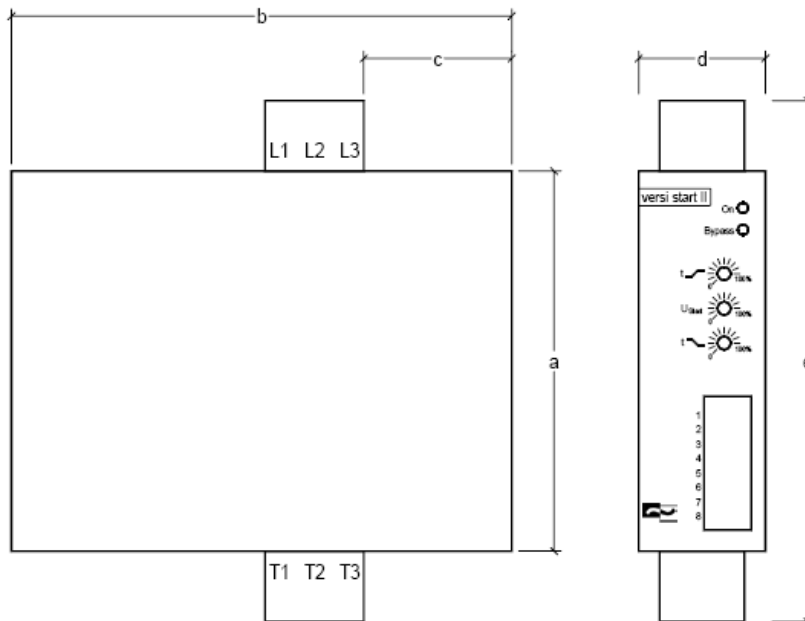
Technical Data	VS II 400-17	VS II 400-25	VS II 400-32	VS II 400-45
Mains / Motor voltage according to DIN EN 50160 (IEC 38)	400V ±10% 50/60Hz			
Rated device current	17A	25A	32A	45A
Motor rating at 400V mains voltage	7.5kW	11kW	15kW	22kW
min. Motor load	20% of the device rating			
Acceleration time	0.5 ... 10s			
Start voltage	40 ... 80%			
Deceleration time	0.5 ... 10s			
Restart time	200ms			
max. Switching frequency at 5x I _N and 10s t _{acc}	60/h	30/h	20/h	15/h
Cross-sectional area: Control terminals	1.5mm ²		1.5mm ²	
Power terminals	6mm ²		16mm ²	
I ² t - Power semiconductor	4900A ² s	4900A ² s	6050A ² s	6600A ² s
Switching rating of relay output RA1/RA2	250VAC / 3A			
Oversvoltage category / Pollution degree	III (TT / TN systems) / 2			
Installation class	3			
Surge strength	4kV			
Ambient / Storage temperature	0°C ... 40°C up to an altitude of 1000m / -25°C ... 70°C			
Weight	1kg			
Special voltages (optional)	230V / 480V / wide voltage range 200-480V with ext. auxiliary supply 24VDC			
Order number	25700.40017	25700.40025	25700.40032	25700.40045

Please observe supplementary sheet with dimensioning rules.



VS II 400-17.....45

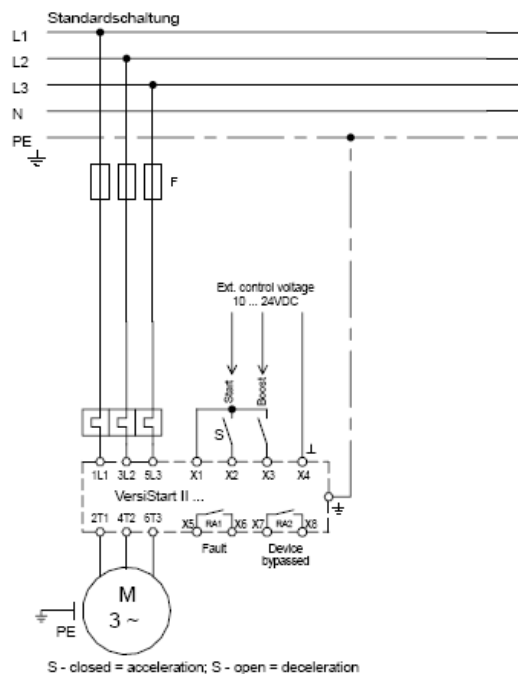
Dimensions:



Mounting dimensions	a	b	c	d	e
VS II 400-17...32	125	158	53	45	173
VS II 400-45	125	158	53	52.5	178

All dimensions indicated in mm.

Connection Diagram:



EMV

The limit values for emitted interference according to the applicable device standards do not rule out the possibility that receivers and susceptible electronic devices within a radius of 10m are subjected to interference. If such interference, which is definitely attributable to the operation of the soft starters "VersiStart II ...", occurs, the emitted interference can be reduced by taking appropriate measures. Such measures are, e.g.:

- To connect reactors (3mH) or a suitable mains filter in series before the soft starter, or to connect X-capacitors (0.15µF) in parallel to the supply voltage terminals.

Subject to change without notice.

RALSPEED LTD

A1 Hurstwood Court, Mercer Way, Shadsworth Business Park, Blackburn, BB1 2QU
TEL: 01254 582345 FAX: 01254 668414 EMAIL: info@ralspeed.com